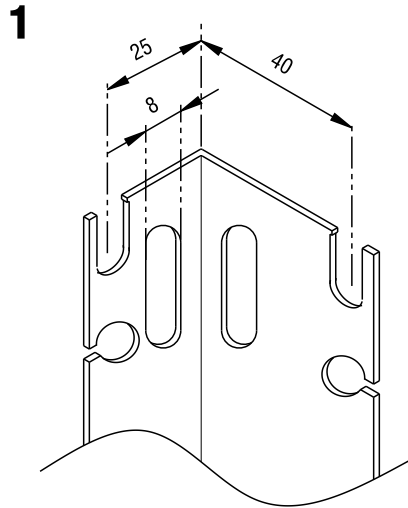
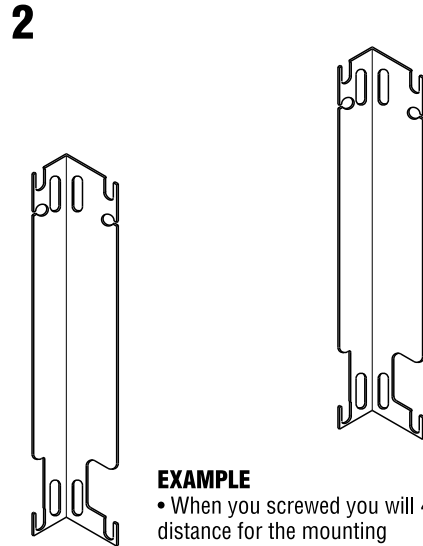


MONTAGE GUIDE



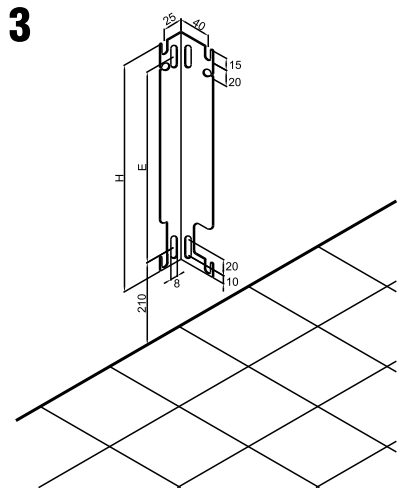
• Choose the distance between the wall and radiator (25 or 40 mm.)



EXAMPLE

• When you screwed you will 40 mm distance for the mounting

• Pick the right and the left holders.



Radiator height	Bracket length	Connection of canal distance
600	408	315

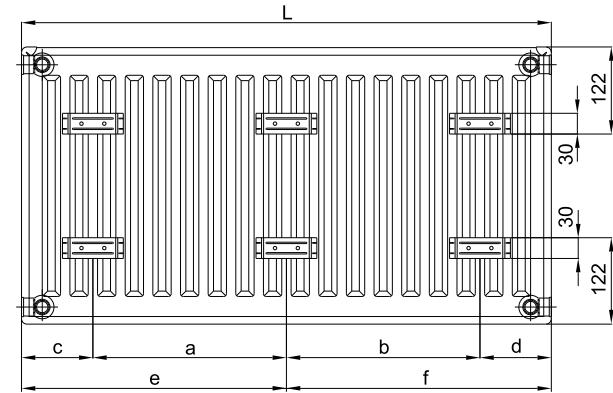
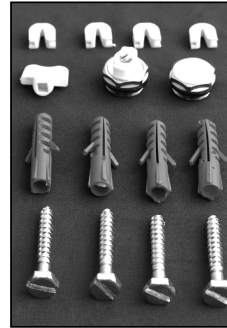
Dimensions are mm.

• if the height of the radiator is desired to be 100 mm from the ground, bottom hole of the bracket should be 210 mm from the ground. For centre hole check the diagram above.

ATTACH THE BRACKETS TO THE WALL

• Between 10 step (400 mm length) and 40 step (1600 mm) use two holders.

4 INSTALLATION KIT



STANDART and WITH COVER PANEL RADIATORS						
PANEL LENGTH	10, 11, 20, 21, 22, 33					
	a	b	c	d	e	f
400 - 1500	L-266,6	-	133,3 Type 11 (117)	133,3 Type 11 (117)	-	-

5

- Place the radiator on to the clips
- Center the radiator according to the holders without over power

BRACKET CLIPS ASSEMBLY

